

# Closed position indicator switch Type K01/1

for solenoid valves  
MV.../5, SV... 510-520 V7  
double solenoid valves  
DMV.../11, DMV.../12  
GasMultiBloc®  
MB-... 405-420 B0x

**DUNGS**®  
Combustion Controls

12.01



## Technical description

The K01/1 closed position indicator switch is a mechanically activated microswitch for monitoring the position of the valve plate in DUNGS multiple actuators and solenoid valves.

## Application

The K01/1 can be easily mounted on all DUNGS safety solenoid valves and multiple actuators:

MV.../5 Rp 3/8 up to DN 150  
ZR.../5  
LGV.../5  
HSAV.../5

MB-D(LE) 405 - 420 B0x  
MB-ZRD(LE) 405 - 420 B0x  
SV-(DLE) 510-520...V7

DMV-D(LE) 503/11 - 525/11  
DMV-D(LE) 5040/11 - 5125/11

DMV-D 525/12  
DMV-(DLE) 5065-5125/12

The K01/1 is suitable for gases of families 1, 2, 3 and other neutral gaseous media.

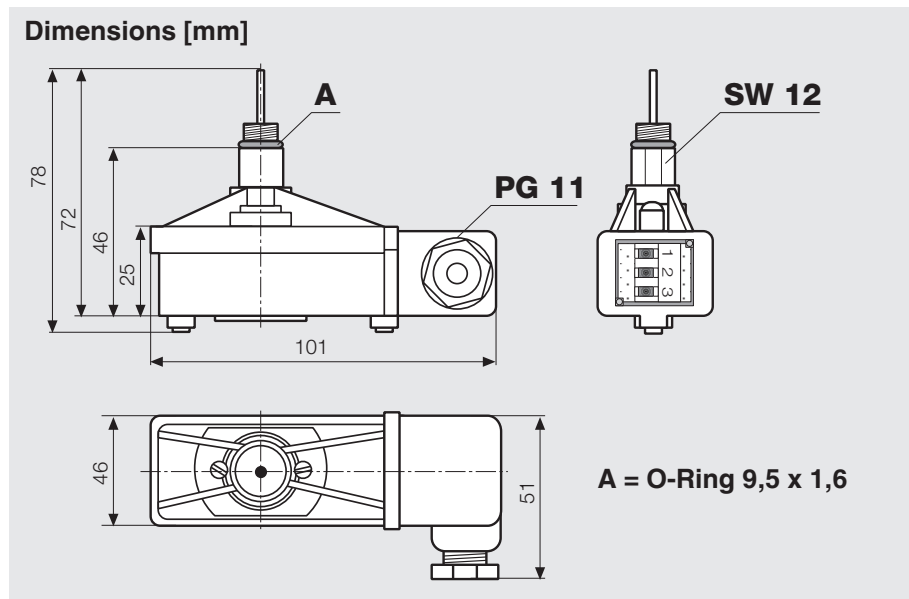
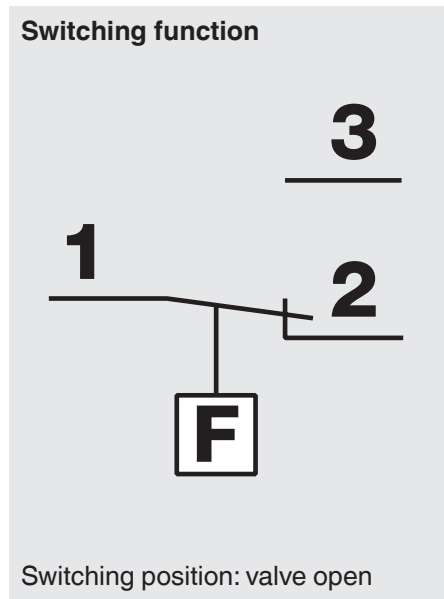
**Closed position indicator switch  
Type K01/1**

**for solenoid valves  
MV.../5, SV... 510-520 V7  
double solenoid valves  
DMV.../11, DMV.../12  
GasMultiBloc®  
MB-... 405-420 B0x**



**Specifications**

Connection	G 1/8
Max. operating pressure	500 mbar (50 kPa)
Closed position signal contact	Indicator switch as per EN 161
Electrical connection	At screw terminals via PG* 11 cable gland (* heavy-gauge conduit thread)
Switching performance	5 A ohmic load, max. 250 V AC 3 A inductive load, cos. φ 0.6
Degree of protection	IP 54 as per IEC 529 (DIN EN 60 529) IP 65 on request
Ambient temperature	-15 °C to +70 °C
Installation position	Vertically upright to lying horizontally. Refer to operating and assembly instructions for multiple actuators (valve).
Order No.	Closed position indicator switch K01/1 IP 54: <b>211 202</b> Closed position indicator switch K01/1 IP 65: <b>214 908</b>



We reserve the right to make any changes in the interest of technical progress.

**Head Offices and Factory  
Karl Dungs GmbH & Co. KG  
Siemensstraße 6-10  
D-73660 Urbach, Germany  
Telephone +49 (0)7181-804-0  
Fax +49 (0)7181-804-166**

**Postal address  
Karl Dungs GmbH & Co. KG  
Postfach 12 29  
D-73602 Schorndorf, Germany  
e-mail info@dungs.com  
Internet www.dungs.com**